



CEDARBRAE'S GRADE 8 COURSE AND PROGRAM INFORMATION

CEDARBRAE
COLLEGIATE
INSTITUTE



**Hic Patet In Genius Campus - "Here is a place where
talent thrives"**

Table of Contents

	Page
<u>Grade 9 Elective Courses</u>	
• Arts (Drama, Music, Visual Arts)	1 & 2
• Business	3
• Technological Studies	4
• Family Studies	5
• Guidance – Skills for Success in Secondary School	6
• Special Education – GLE – Learning Strategies	7 & 8
<u>Special Programs</u>	
• English as a Second Language	9
• Immersion & Extended French	10
• STEM (Science, Technology, Engineering, Math)	11
Certificates of Achievement	12 & 13
Diploma Requirements	14

For more information about Cedarbrae visit
<http://www.cedarbraeci.com>

GRADE 9 ELECTIVE COURSE DESCRIPTIONS



THE ARTS



DRAMATIC ARTS – ADA101 – OPEN

This course emphasizes the active exploration of dramatic forms and techniques, using material from a wide range of authors, genres, and cultures. Students will construct, discuss, perform, and analyze drama, and then reflect on the experiences to develop an understanding of themselves, the art form and the world around them.

INSTRUMENTAL MUSIC (BAND/WINDS/BRASS) – AMI101 – OPEN

Students will focus their work on the various aspects of musical performance through the study of a woodwind, brass or percussion instrument in a band setting. This course is for students who already play an instrument.

MUSIC – KEYBOARD MUSIC – AMK101 – OPEN

Students will focus on the skills specific to the piano keyboard and will learn authentic repertoire.

MUSIC – VOCAL – AMV101 – OPEN

This course is designed for students wishing to learn about singing and participate in a choir setting.

FIRST NATIONS, MÉTIS, AND INUIT STUDIES (Visual Arts)

Expressions of First Nations, Métis, and Inuit Cultures – NAC101 – OPEN

This course will explore a variety of contemporary and traditional First Nations, Métis, and Inuit art forms. This course offers an overview of visual arts as a foundation for further study. Students will become familiar with the elements and principles of design and the expressive qualities of various materials. They will create art works to express their own ideas and understanding of Aboriginal identity, relationships, and sovereignty by using a range of media, processes, techniques, and styles.

ARTS VISUELS - AVI105 - Immersion French - OPEN

This course is for French Immersion students.

This course offers an overview of visual arts as a foundation for further study. Students will become familiar with the elements and principles of design and the expressive qualities of various materials through working with a range of materials, processes, techniques, and styles. They will learn and use methods of analysis and criticism and will study the characteristics of historical art periods and a selection of Canadian art and the art of other cultures.

ARTS VISUELS - AVI104 - Extended French - OPEN

This course is for Extended French students.

This course offers an overview of visual arts as a foundation for further study. Students will become familiar with the elements and principles of design and the expressive qualities of various materials through working with a range of materials, processes, techniques, and styles. They will learn and use methods of analysis and criticism and will study the characteristics of historical art periods and a selection of Canadian art and the art of other cultures.

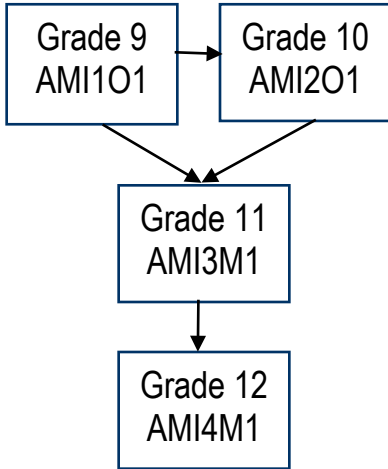
PERFORMING & VISUAL ARTS



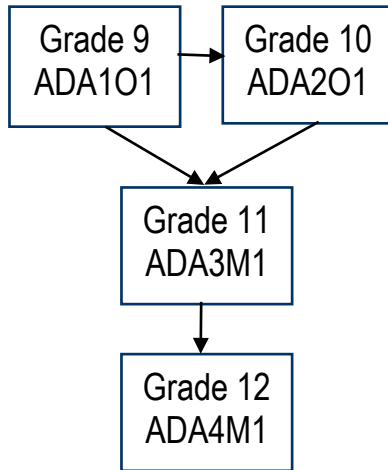
**GRADE 9 REQUIREMENT IS ONE OF:
BAND, DRAMA, KEYBOARD,
VISUAL ART, VOCAL**



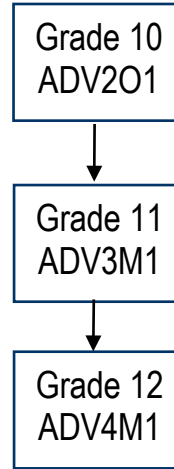
BAND



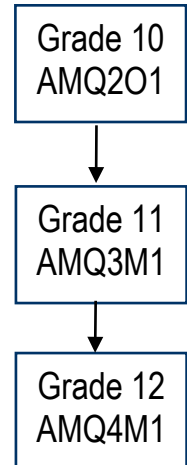
DRAMA



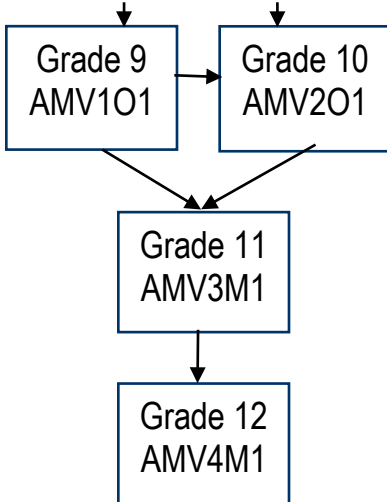
FILM



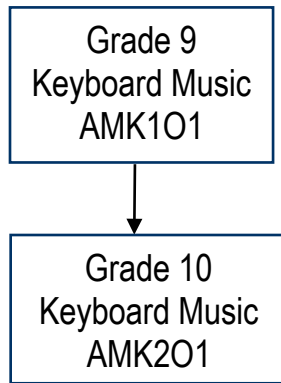
STEEL BAND



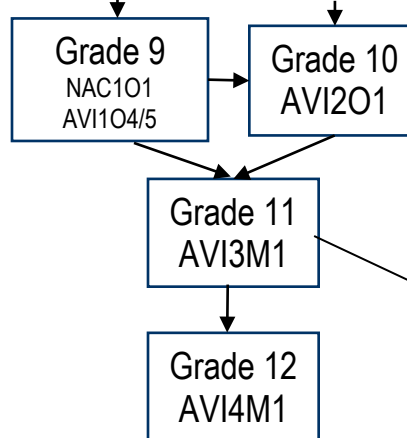
VOCAL



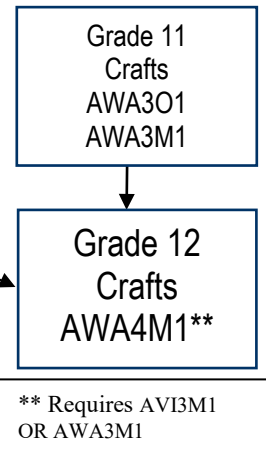
KEYBOARD MUSIC



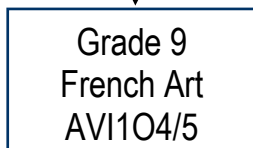
VISUAL ART



SPECIAL FOCUS ART



LANGUAGE OPTIONS



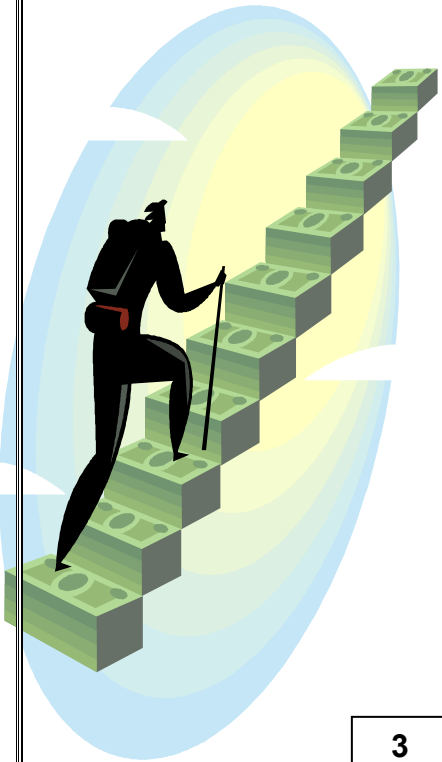
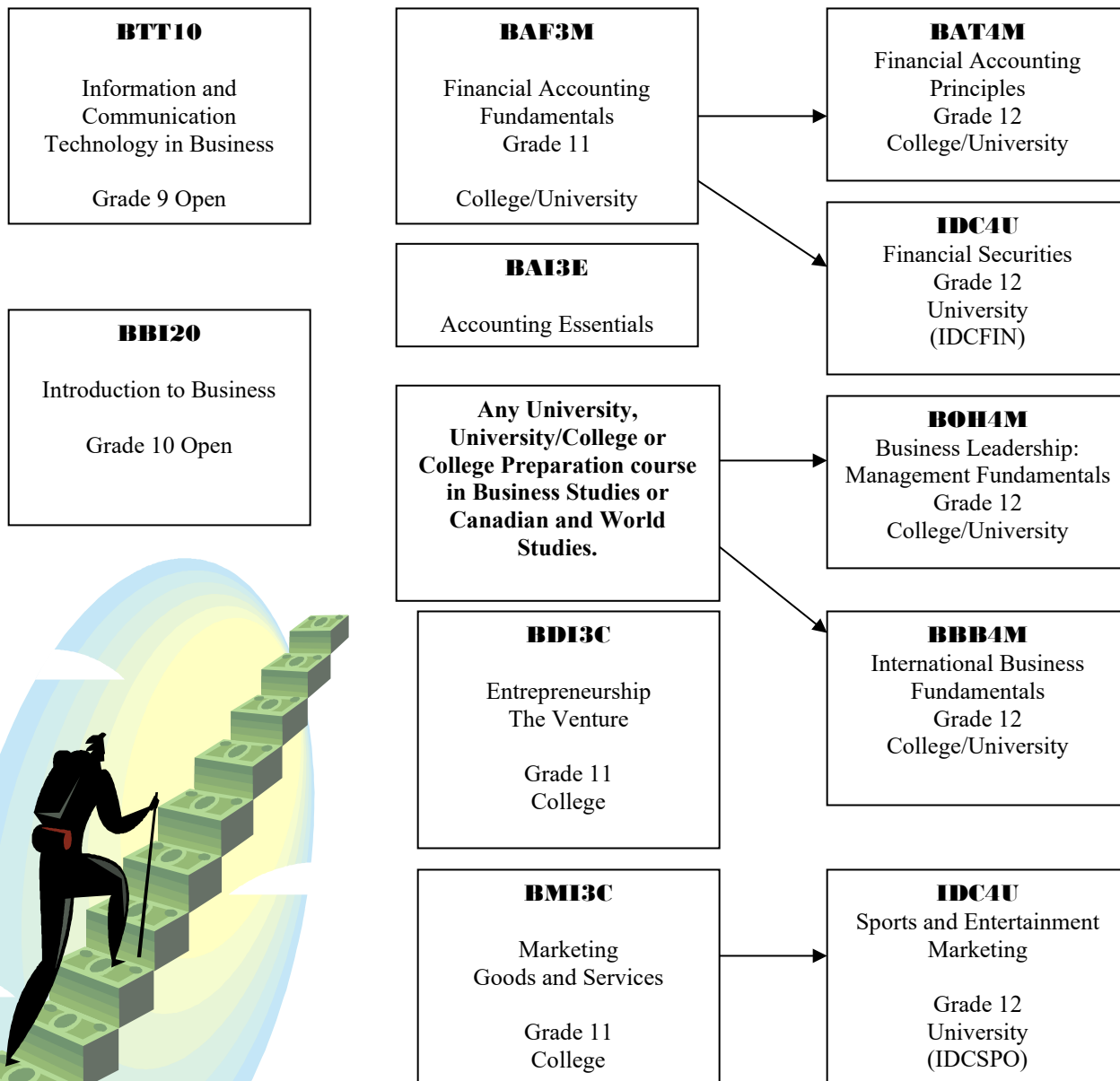


BUSINESS STUDIES

INFORMATION AND COMMUNICATION TECHNOLOGY IN BUSINESS - BTT101 - OPEN (Computers) For English as a Second Language students we offer BTT108

This course introduces students to information and communication technology in a business environment and builds a foundation of digital literacy skills necessary for success in a technologically driven society. Students will develop word processing, spreadsheet, database, desktop publishing, website design skills and presentation software. Throughout the course, there is an emphasis on digital literacy, effective electronic research and communication skills, and current issues related to the impact of information and communication technology.

Business Studies Flow Chart



**Earn a Business Certificate by completing 5 Credits in Business Studies from the choices above!*



TECHNOLOGICAL STUDIES CURRICULUM INFORMATION GRADE 9



EXPLORING TECHNOLOGIES - T1J1O1 - OPEN

This course enables students to further explore and develop technological knowledge and skills introduced in the elementary science and technology program. Students will be given the opportunity to design and create products and/or provide services related to the various technological areas or industries, working with a variety of tools, equipment, and software commonly used in industry. Students will develop an awareness of environmental and societal issues and will begin to explore secondary and postsecondary education and training pathways leading to careers in technology-related fields.

During their stay in TECHNOLOGICAL STUDIES we offer the students as much variety as possible.

SUBJECT AREA	BRIEF SAMPLE OUTLINE
TRANSPORTATION	<ul style="list-style-type: none"> - Acquire knowledge, skills and values in a variety of learning experiences in the fields of: Transportation - air, land and sea - Environmental concerns - Impact on society
DRAFTING	<ul style="list-style-type: none"> -Acquire knowledge, skills and values in a variety of learning experiences in the field of drafting line work -Fundamentals of multi -view drawings -Using traditional as well as computer assisted drawings (CAD)
COMMUNICATIONS	<ul style="list-style-type: none"> -Acquire knowledge, skills and values in a variety of learning experiences in the field of communications -Audio, video, photographic and computer graphics use as it applies to these areas
WOODWORKING	<ul style="list-style-type: none"> -Acquire knowledge, skills and values in a variety of learning experiences in the field of woodworking -Safe use of hand and power tools, wood identification, basic cabinet making joints, and work on activity-based projects
NOTE	<p>Classes in grade nine <u>may</u> take all the above subjects - however not every student will be exposed to all areas; every effort is made to expose the student to as many areas as possible. All technology areas have as a key component; a project or projects that involve plenty of activity, problem solving and teamwork. Evaluation of students is based on their practical work (projects), as well as their theory work (tests, assignments, presentations). The student's mark is a reflection of their complete grade nine technology course.</p>



SOCIAL SCIENCE AND THE HUMANITIES



EXPLORING FAMILY STUDIES - HIF1O1 – OPEN - For English as a Second Language students we offer HIF2O8

This course explores, within the context of families, some of the fundamental challenges people face how to meet basic needs, how to relate to others, how to manage resources, and how to become responsible members of society. Students will explore adolescent development and will have opportunities to develop interpersonal, decision-making, and practical skills related to daily life. They will learn about the diverse ways in which families function in Canada and will use research skills as they explore topics related to individual and family needs and resources.

Exploring Family Studies

HIF1O1/HIF2O8

Grade 9

Open



WHO ARE YOU? Do you have the knowledge and skills that are needed to make the transition to adulthood? Learn some practical skills related to daily family living.

Topics to be covered will include:

- ◆ Who Am I ?
- ◆ Function of the Family
- ◆ Diversity of Families
- ◆ Managing our resources—time and money

Food & Nutrition



HFN2O1

Grade 10

Open

You are what you eat? How do you make those choices? Learn the basics of nutrition and food preparation.

Topics to be covered will include:

- ◆ Healthy Food Decisions
- ◆ How To Prepare Food
- ◆ Current Food Issues



Guidance – Skills for Success in Secondary School

Skills for Success in Secondary School – GLS1O1 – OPEN - For English as a Second Language student we offer GLS2O8

This Course is for students who do not have an IEP (Individual Education Plan)

This course focuses on learning strategies to help students become better, more independent learners. Students will learn how to develop and apply literacy and numeracy skills, personal management skills, and interpersonal and teamwork skills to improve their learning and achievement in school, the workplace and the community. The course helps students build confidence and motivation to pursue opportunities for success in secondary school and beyond.

Guidance and Career Education



As students look forward to beginning high school, it's hard to believe that in just a few years they will be taking another big step into the world of work. After graduation, students may be heading to apprenticeship, college, university, or directly to work, and Cedarbrae has a comprehensive program to help each student make career and educational plans. Additionally, the Cedarbrae Student Services Webpage provides online resources to assist students with career and educational planning.

(<http://www.cedarbraeci.com/guidance.html>)

Counsellors and teachers monitor student success and assist students as they make pathway choices. Students may also make appointments with counsellors for career and educational counseling.

Whether or not a student has a specific career in mind, it is important to select both compulsory and optional courses carefully so that requirements for post-secondary education or training are met. Cedarbrae offers a wide variety of optional courses which can help students discover interests and strengths and develop skills leading to career choices. All students in Grade 10 are required to successfully complete the ½ credit Career Studies course.



SPECIAL EDUCATION – Learning Strategies

LEARNING STRATEGIES – GLE109 – OPEN

This course explores learning strategies and helps students become better, more independent learners while increasing their personal management skills, both in school and in other contexts. Students will learn how to develop and apply a range of strategies to improve their learning and achievement, particularly their literacy, numeracy, communication, and planning skills. This course will increase students' confidence, motivation, and ability to learn.

Prerequisite: Students must have an Individual Education Plan and recommendation of Principal



Special Education

Students who have an Individual Education Plan are considered part of Cedarbrae's Special Education Department. The Special Education department offers supports, accommodations and strategies to help facilitate student success.

Learning Strategies Course - GLE1/2/3/40 (students who have an IEP only)

GLE classes are split into grade 9/10 and grade 11/12. These courses are designed to be smaller in size and give students a chance to complete work from their other classes. The teacher is able to help students with academic support when necessary and works with students on learning skills for success in GLE. There is no exam in the course, but there are a series of assignments and a course culminating at the end. This course is a nice balance for students to complete course work, while getting academic support for other classes at the same time.

Course curriculum includes strategies that help develop skills students need to be successful. Determining your learning style, organizational skills, goal setting, test-taking and memorization strategies, time management skills, self-advocacy, and improving basic literacy and numeracy skills are some of the key points covered in these courses.

Special Education

RESOURCE ROOM – 319 (every student in the school has access to this room)

The resource room is a place for students to receive one on one support for any of their courses. They can also receive computer and printer access, a quiet space for working or a place to write a test/quiz. Students advocate for themselves and ask their teachers to come up to the room. Students can come for 15-20 minutes or the entire period, depending on what type of academic support they are looking for.

The resource room has 10 computers available for student use and a printer. The room also has a chrome book cart that allows IEP students to have technology with them for a particular class if needed. They need to speak with the special education teachers to discuss how to access the computers.

All students in the school also have access to the Read and Write program. This is a computer program that allows speech to text assistance, text to speech assistance, a dictionary, reading text feature and so much more. Ask your child to show you this amazing program. This program helps lessen barriers for written expression, reading comprehension, word decoding or recognition that many of our students experience allowing them more opportunity to demonstrate their learning.



ENGLISH AS A SECOND LANGUAGE



At Cedarbrae, we offer 5 levels of ESL in preparation for the regular stream of English classes. Students will be placed at the level suggested by the TDSB Assessment Centre upon entry to the school.

We also have LEAP (Literacy Enrichment Academic Program). LEAP is an accelerated program for students who have recently arrived in Ontario who have limited prior schooling

Students have the opportunity to take ESL Geography (CGC1D8), ESL Information & Communication Technology and Business (BTT1O8), ESL Skills for Success in Secondary School (GLS1O8), and ESL Exploring Family Studies (HIF2O8). These courses will help strengthen the students oral skills, confidence and creativity.

Students and parents also have access to settlement workers in the school who help families transition and acclimatization to a new environment.



FRENCH AS A SECOND LANGUAGE



IMMERSION FRENCH - FIF1D5 - ACADEMIC

This course provides opportunities for students to speak and interact in French independently in a variety of real-life and personally relevant contexts. Students will develop their ability to communicate in French with confidence by using language-learning strategies introduced in the elementary French Immersion program. Students will enhance their knowledge of the language through the study of French-Canadian literature. They will also continue to increase their understanding and appreciation of diverse French-speaking communities and to develop the skills necessary to become life-long language learners.

Prerequisite: Minimum of 3800 hours of instruction in elementary French Immersion, or equivalent

EXTENDED FRENCH - FEF1D4 - ACADEMIC

This course provides opportunities for students to speak and interact in French in a variety of real-life and personally relevant contexts. Students will continue to use language-learning strategies introduced in the elementary Extended French program. They will develop their creative and critical thinking skills, through independently responding to and interacting with a variety of oral and written texts and will continue to enhance their understanding and appreciation of diverse French-speaking communities. They will also develop the skills necessary to become life-long language learners.

Prerequisite: Minimum of 1260 hours of instruction in elementary Extended French, or equivalent

<i>Course Title</i>	<i>Immersion Course Codes</i>	<i>Extended Course Codes</i>
ART (IMMERSION or EXTENDED)	AVI105	AVI104
FRANÇAIS (IMMERSION or EXTENDED)	FIF1D5	FEF1D4
ÉDUCATION PHYSIQUE ET HYGIÈNE (FILLES)	PPL10G	PPL10J
ÉDUCATION PHYSIQUE ET HYGIÈNE (GARÇONS)	PPL10Q	PPL10U
ÉDUCATION PHYSIQUE ET HYGIÈNE (FILLES & GARÇONS)	PPL10K	PPL10L
ENJEUX GEOGRAPHIQUES DU CANADA	CGC1D5	CGC1D4
MATHÉMATIQUES	MTH1W5	---
SCIENCE	SNC1W5	---

GRADE 9 STEM (Science, Technology, Engineering Math)

In the STEM program learning is collaborative and project-based; students work closely together in a hands-on way to solve real-world problems. Learning problem-solving skills and helping students develop into creative, critical thinkers.



How to become part of the STEM Program

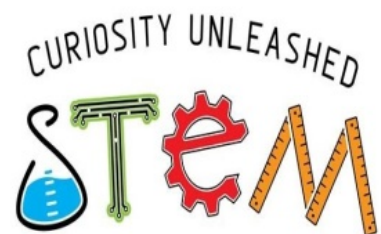
- Students choose ENL1WP, SNC1WP, and BTT1OP on their course selection guide and in myBlueprint during the course selection process.
- Students all have the same classes at the same times
- We group the students in a cohort that are together all day from September to January

STEM Advantages...

- Allows for teachers to “double up” periods for larger tasks that would otherwise take place over multiple days
 - Presentations
 - Watch a whole film
 - A deeper science lab activity
- Projects are marked by multiple teachers for multiple classes at a time
For example, a podcast assignment examining the link between astronomy and mythology is rooted in the curricula for ENL1WP, SNC1WP, and BTT1OP

Unique Experiences...

- Science Centre Mission to Mars trip
 - Students apply for a job as part of a Mission to Mars space crew.
 - Assigned positions for work in the simulator
 - Work individually/as a whole team for the mission
 - Great use of soft “non-science” skills in “real world” science scenario



CERTIFICATES OF ACHIEVEMENT OFFERED AT CEDARBRAE COLLEGIATE



VISUAL ARTS CERTIFICATE

Cedarbrae is proud to offer courses that cover a variety of traditional and digital media techniques. The **Visual Arts Certificate** is awarded to students who have completed **four (4)** or more courses in AVI, NAC, and AWA.



BUSINESS STUDIES CERTIFICATE

Students who have earned a minimum of **five (5)** credits in Business Studies including credits assigned from grade 9 will earn the **Business Studies Certificate**. Course codes that begin with the letter 'B' will be counted for this certificate along with one IDC4 course in Sports and Entertainment Marketing or Financial Securities.



EXTENDED FRENCH AND IMMERSION FRENCH

Certificate of Bilingual Studies in Extended French will be awarded to students who earn the Ontario Secondary School Diploma and complete **seven (7)** credits in Extended French including 4 "FEF" credits grade 9 to 12.

Certificate of Bilingual Studies in French Immersion will be awarded to students who earn the Ontario Secondary School Diploma and complete **ten (10)** credits in Immersion French including 4 "FIF" credits grade 9 to 12.



Honours Certificate of Bilingual Studies in Extended French will be awarded to students who earn the Ontario Secondary School Diploma and complete **eight (8)** or more credits in Extended French including 4 "FEF" credits grade 9 to 12.

Honours Certificate of Bilingual Studies in French Immersion will be awarded to students who earn the Ontario Secondary School Diploma and complete **eleven (11)** or more credits in Immersion French including 4 "FIF" credits grade 9 to 12.

PERFORMING ARTS CERTIFICATE (Music, Drama, and Film)



Students who have successfully completed a minimum of **four (4)** credits in music, and/or drama (including film) will be awarded a **Performing Arts Certificate**. Involvement in extracurricular performance will count as **one (1)** credit. This will recognize their commitment and background in the area of performing arts. The certificate could be of benefit to students when applying for employment or enrolment in post-secondary arts education. (AMI, AMG, AMK, AMQ, AMV, ADA, ADV)

PHYSICAL AND HEALTH EDUCATION CERTIFICATE



The **Physical and Health Education Certificate** is awarded to students who have completed a combination of **four (4)** courses in PPL and PAF plus **one (1)** course in PSK4U (Introduction to Kinesiology) or PLF4M (Recreation and Fitness Leadership).

SENIOR SCIENCE CERTIFICATE



Students who have successfully completed **five (5)** senior courses in science will earn a **Senior Science Certificate**. Students that have successfully completed **six (6)** or more senior science courses will earn an **Honours Senior Science Certificate**.

SOCIAL SCIENCE CERTIFICATE



Students who have earned a minimum of **seven (7)** credits in Family Studies, Geography, and/or History including credits assigned from Grade Nine may earn a **Social Science Certificate**. Students that earn **nine (9)** credits in Family Studies, Geography, and /or History will be eligible to receive an **Honours Social Science Certificate**.

TECHNOLOGICAL STUDIES CERTIFICATE



Students who have earned a minimum of **five (5)** credits in technological studies will be awarded the **Technological Studies Certificate**. Course codes that begin with the letter 'T' will be counted for this certificate. This certificate should be of benefit to students seeking employment or applying for admission to post-secondary programs in technical areas.



What do you need to graduate?

Students must earn the following compulsory credits to obtain the Ontario Secondary School Diploma:

- 4 credits in English*
- 3 credits in mathematics
- 2 credits in science
- 1 credit in Canadian history
- 1 credit in Canadian geography
- 1 credit in arts
- 1 credit in health and physical education
- 1 credit in French as a second language
- 0.5 credit in career studies
- 0.5 credit in civics

➤ **Plus, one credit from each of the following groups:**

GROUP 1 - 1 additional credit in English, or French as a second language** or a Native language, or a classical or an international language or social sciences and the humanities, or Canadian and world studies, or guidance and career education, or cooperative education***

GROUP 2 - 1 additional credit in health and physical education, or the arts, or business studies, or French as a second language** or guidance and career education, or cooperative education***

GROUP 3 - 1 additional credit in science, or technological education, or French as a second language** or computer studies, or cooperative education***

➤ **A total of 18 compulsory credits**

In addition to the 18 compulsory credits, students must complete:

- **12** optional credits
- **40** hours of community involvement activities
- **2** online e-Learning credits
- the provincial literacy requirement

*A maximum of 3 credits in English as a second language (ESL) or English literacy development (ELD) may be counted towards the 4 compulsory credits in English, but the fourth must be a credit earned for a Grade 12 compulsory English course. ** In Groups 1, 2, and 3, a maximum of 2 credits in French as a second language can count as compulsory credits, one from Group 1 and one from either group 2 or group 3. ***A maximum of 2 credits in cooperative education can count as compulsory credits. +The 12 optional credits may include up to four credits earned through approved dual credit courses.